

OPERATING INSTRUCTIONS

Hand-operated Pressure System

70-5000

<p>ELE International Chartmoor Road, Chartwell Business Park Leighton Buzzard, Bedfordshire, LU7 4WG England phone: +44 (0) 1525 249200 fax: +44 (0) 1525 249249 email: ele@eleint.co.uk http://www.ele.com ELE International, a division of Hach Lange Ltd.</p>	<p>Distributor:</p>	<p>ELE International Soiltest Product Division PO Box 389, Loveland, CO 80539 USA phone: +1 (800) 323 1242 fax: +1 (970) 663 9781 email: soiltest@eleusa.com http://www.eleusa.com</p>
<p><i>In the interests of improving and updating its equipment, ELE reserves the right to alter specifications to equipment at any time</i> ELE International 2003 ©</p>		

Contents

	Section	Page
1	Introduction	3
2	Setting Up	3
3	Operation	3
4	Maintenance	3

1 Introduction

- 1.1 This unit (*Figure 1*) comprises a small reservoir, hand pump with quick release connector (for pressure gauge) and pressure gauge. A length of high pressure hose is supplied for connection to the cell by means of a quick release mechanism (20).
- 1.2 The unit is normally supplied filled with Shell Tellus T150 oil or ISO equivalent offering an ample reservoir to operate all sizes of Hoek Cell at present manufactured by ELE. The oil reservoir capacity is approximately 1.4 litres.

2 Setting-Up

- 2.1 Remove the plug (17) situated adjacent to the pump handle fulcrum and fill with oil until level is just visible at the bottom of the hole. Replace the plug.
- 2.2 Remove the dust cover from the gauge half coupling (18) and push home the pressure gauge and tighten the screw collar.
- 2.3 Connect the pressure hose to either one of the two self-sealing couplings on the cell body.

3 Operation

- 3.1 Close the release valve (19) by turning the winged hand wheel fully in a clockwise direction.
- 3.2 Fill the triaxial cell and bleed the system (refer to operating instructions for cells).
- 3.3 To release the confining pressure with this system, careful observation of the pressure gauge is required, since deformation of the specimen could possibly result in a pressure increase. If this occurs, the pressure can be regulated by easing off the release valve handwheel.

4 Maintenance

- 4.1 If the pump fails to operate, check the oil level. To fill the pump with oil, turn the unit into a vertical position with the plug at the rear of the hand pump uppermost. Remove the plug and pour oil into the upturned cylinder until full. Replace the plug and return to the horizontal position.

Always maintain the correct oil level.

- 4.2 Following continued use, and as a result of failure of jackets in the cell, it will be necessary from time to time to re-charge the reservoir.

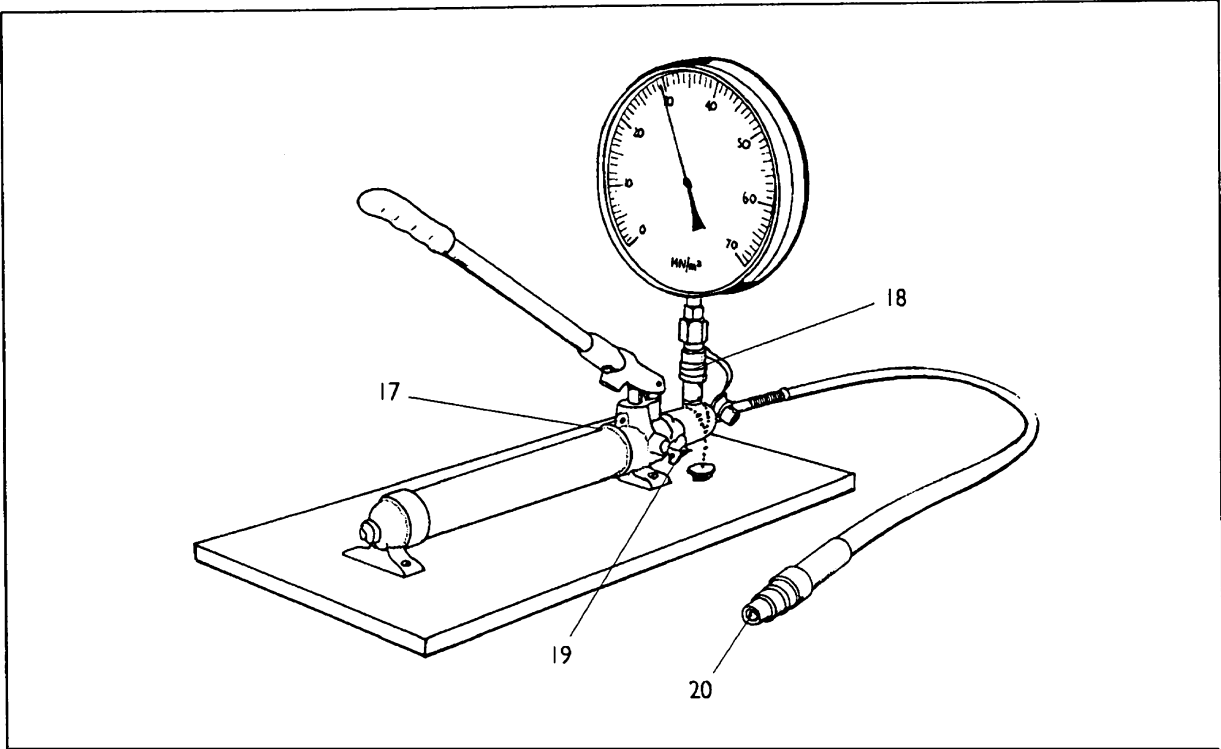


Figure 1 Hand-operated Pressure System 70-5000