

Operating Instructions

RICE TEST VIBRATOR

Models: 45-9315/01 (AP-910A-4)
45-9315/02 (AP-910A)

ELE International, Inc.
PO Box 608
Loveland, CO 80539
USA
Phone: (970) 663-9780
Fax: (970) 663-9781
E-Mail: soiltest@eleusa.com
Website: www.eleusa.com

Distributor:

ELE International, Ltd.
Chartmoor Road Chartwell Business Park
Leighton Buzzard, Bedfordshire
LU7 4WG England
Phone: + (0) 1525 249200
Fax: + (0) 1525 249249
E-Mail: ele@eleint.co.uk
Website: www.eleint.co.uk

TABLE OF CONTENTS

I. GENERAL INFORMATION.....	1
II. RELATED USER DOCUMENTATION.....	1
III. OPERATION.....	2
IV. MAINTENANCE.....	2
V. SPECIFICATIONS.....	3
FIGURES AND PARTS LIST.....	4

Rev.2: 10/04

ELE International, Inc. PO Box 608 Loveland, CO 80539 USA Phone: (970) 663-9780 Fax: (970) 663-9781 E-Mail: soiltest@eleusa.com Website: www.eleusa.com	Distributor:	ELE International, Ltd. Chartmoor Road Chartwell Business Park Leighton Buzzard, Bedfordshire LU7 4WG England Phone: + (0) 1525 249200 Fax: + (0) 1525 249249 E-Mail: ele@eleint.co.uk Website: www.eleint.co.uk
---	---------------------	--

RICE TEST VIBRATOR MODEL 45/9315/ (AP-910A)

I. GENERAL INFORMATION

The Rice Test Vibrator is used with four-, two-, and one- liter flasks and with Vacuum Pycnometer, model 45-9310 (AP-137), to determine specific gravity and density of bituminous paving mixtures.

The vibrator is motor-driven, 3000 VPM on 115vAC, 60Hz, 1 \emptyset (or 220vAC, 50Hz, 1 \emptyset), 1.6 amps, thermally protected, with an ON-OFF switch located on the power cord and is constructed from sheet steel. The fully threaded uprights have quick-acting knobs for fast clamping. The upper clamp is rubber-trimmed from inside for flask protection.

When the vibrator is used with a four-liter flask, only the upper clamp is used. For use with two- and one-liter flasks, the Filter Flask Attachment disc, model 45-9315/12 (AP-911), is installed in the recess of the upper clamp. When used with the Vacuum Pycnometer (6000 Gram), model 45-9300 (AP-132), a set of two discs 45-9315/10 (AP-912) is mounted on the top of the vibrator.

II. RELATED USER DOCUMENTATION

These operating instructions do not contain the necessary information on specific test procedures. Please refer to ASTM D-2041 for test information.

ELE International, Inc. PO Box 608 Loveland, CO 80539 USA Phone: (970) 663-9780 Fax: (970) 663-9781 E-Mail: soiltest@eleusa.com Website: www.eleusa.com	Distributor:	ELE International, Ltd. Chartmoor Road Chartwell Business Park Leighton Buzzard, Bedfordshire LU7 4WG England Phone: + (0) 1525 249200 Fax: + (0) 1525 249249 E-Mail: ele@eleint.co.uk Website: www.eleint.co.uk
---	---------------------	---

III. OPERATION

- A. Place flasks or pycnometer on the rubber pad, located on the vibrator base plate.
- B. To secure the flasks or pycnometer, adjust the clamp on the upright rods.
 - ▶ For use with a four-liter flask, only the upper clamp is used. See Figure 1.
 - ▶ For use with two- and one-liter flasks, install the Filter Flask Attachment disc, model 45-9315/12 (AP-911), in the recess of the upper clamp. See Figures 2 & 3.
 - ▶ For use with the Vacuum Pycnometer (6000 Gram), model 45-9300 (AP-132), mount a set of two discs 45-9315/10 (AP-912) on the top of the vibrator. See Figure 4.
- C. Adjust hex nut (item 4) in a vertical direction for a desirable level of vibration; i.e., the maximum amplitude with a moderate level of noise. Then lock item 3 with item 2.

NOTE: Do not overtighten knobs. Overtightening may cause flask damage.

- D. Turn vibrator on by using switch located on the power cord.
- E. Follow ASTM D-2041 for test performance.
- F. Use switch located on the power cord to stop vibration.

IV. MAINTENANCE

- A. Keep vibrator clean and free from excessive moisture.
- B. Periodically check nuts on vibrating table for tightness.

<p>ELE International, Inc. PO Box 608 Loveland, CO 80539 USA Phone: (970) 663-9780 Fax: (970) 663-9781 E-Mail: soiltest@eleusa.com Website: www.eleusa.com</p>	<p>Distributor:</p>	<p>ELE International, Ltd. Chartmoor Road Chartwell Business Park Leighton Buzzard, Bedfordshire LU7 4WG England Phone: + (0) 1525 249200 Fax: + (0) 1525 249249 E-Mail: ele@eleint.co.uk Website: www.eleint.co.uk</p>
---	----------------------------	--

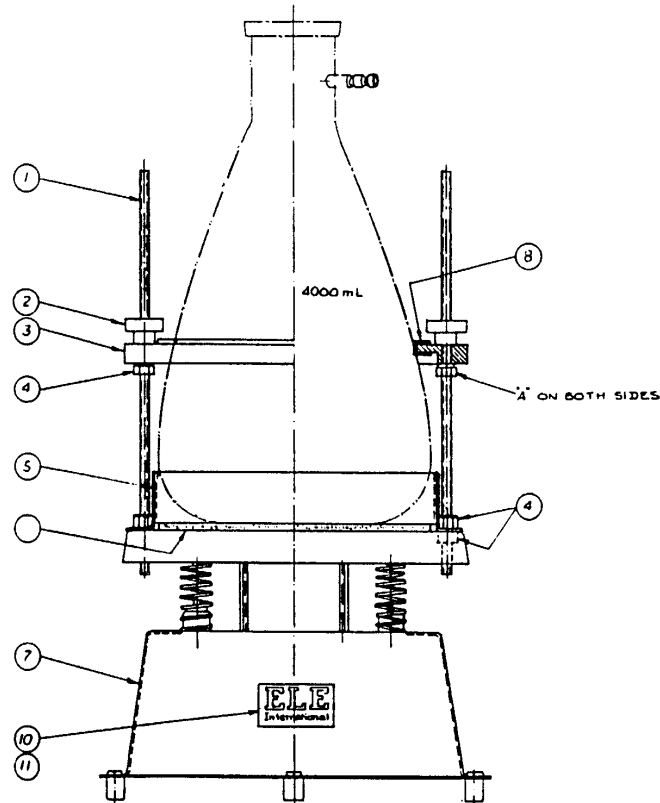
V. SPECIFICATIONS

Motor	1/20 h.p.; 3000 vpms; 1.6 amp
Construction	Sheet Steel
Dimensions	19-1/2" (495 mm) h.; 12" 930 mm) base diameter
Weight	Net 12 lbs. (5.4 kg)

ELE International, Inc. PO Box 608 Loveland, CO 80539 USA Phone: (970) 663-9780 Fax: (970) 663-9781 E-Mail: soiltest@eleusa.com Website: www.eleusa.com	Distributor:	ELE International, Ltd. Chartmoor Road Chartwell Business Park Leighton Buzzard, Bedfordshire LU7 4WG England Phone: + (0) 1525 249200 Fax: + (0) 1525 249249 E-Mail: ele@eleint.co.uk Website: www.eleint.co.uk
---	---------------------	---

FIGURES AND PARTS LIST

Figure 1



Item	Part No.	Description	No. Required
1	3268-0001	Upright 1/4-20 x 12" thread.rod	2
2	9101-0050	Quick Acting Knob 1/4-20	2
3	3341-0007	Clamp	1
4	9606-0001	1/4-20 Hex Nut w/elast stop	6
5	3268-0002	Ring Ass'y Bracket	1
7	3268-0003	110v vibrator for AP-910A	1
	3268-0004	220v vibrator for AP-910-4	1
8	9909-0047	Trim L = 22"	1

<p>ELE International, Inc. PO Box 608 Loveland, CO 80539 USA Phone: (970) 663-9780 Fax: (970) 663-9781 E-Mail: soiltest@eleusa.com Website: www.eleusa.com</p>	<p>Distributor:</p>	<p>ELE International, Ltd. Chartmoor Road Chartwell Business Park Leighton Buzzard, Bedfordshire LU7 4WG England Phone: + (0) 1525 249200 Fax: + (0) 1525 249249 E-Mail: ele@eleint.co.uk Website: www.eleint.co.uk</p>
---	----------------------------	--

Figures (con't)

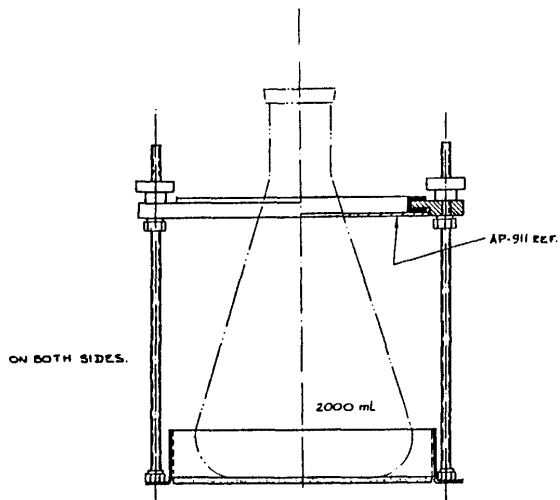


Figure 2

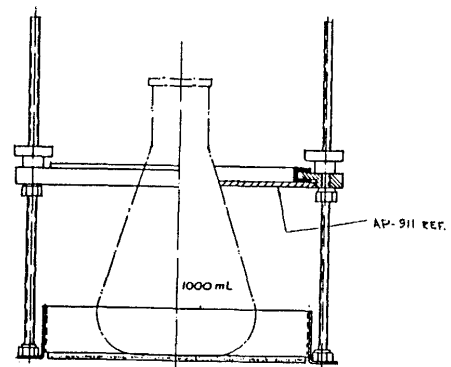


Figure 3

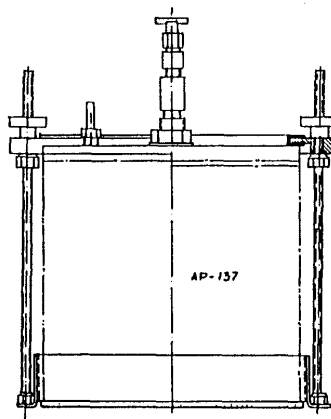


Figure 4

<p>ELE International, Inc. PO Box 608 Loveland, CO 80539 USA Phone: (970) 663-9780 Fax: (970) 663-9781 E-Mail: soiltest@eleusa.com Website: www.eleusa.com</p>	<p>Distributor:</p>	<p>ELE International, Ltd. Chartmoor Road Chartwell Business Park Leighton Buzzard, Bedfordshire LU7 4WG England Phone: + (0) 1525 249200 Fax: + (0) 1525 249249 E-Mail: ele@eleint.co.uk Website: www.eleint.co.uk</p>
---	----------------------------	--